

ESSENCE ALU

VS170 lift and slide

THERMALLY INSULATED PROFILES

lowered flushed threshold



anti-burglary/tampering hardware



Deluxe range series, which is ideal for maximum response to thermal, acoustic and static stress. A key element for achieving a high-energy class, thanks to the possibility of housing more layers of double glazing.

SLIDING WINDOWS AND DOORS

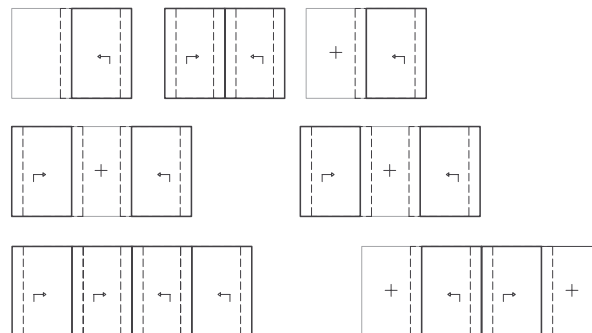
- > Lift and slide system with double thermal break solution.
- > Option for additional thermal and acoustic sponge.
- > Doorway lowered on request for disable access.
- > Fixed frame depth 88 mm (1 rail), 178 mm (2 rail), sash frame depth of 72 mm.
- > Glazing options from 23 mm up to 53 mm glass thickness.
- > Burglar-proof hardware.
- > Smooth operation of doors up to 400 kg.
- > Standard rails: from 1 to 2.

STANDARD SIZING LIMITS:

Up to L 1500 mm x H 3000 mm* (5' x 10')
Max 400kg/sash

*Wind pressure: 20 psf

OPENING TYPE



TESTS & REFERENCE STANDARDS

Note: all measurements are made using the SI, the values shown can be approximated due to the conversion



AIR PERMEABILITY
CLASS LC PG 80



WATERPROOFING
CLASS LC PG 80



WIND RESISTANCE
CLASS R PG 25

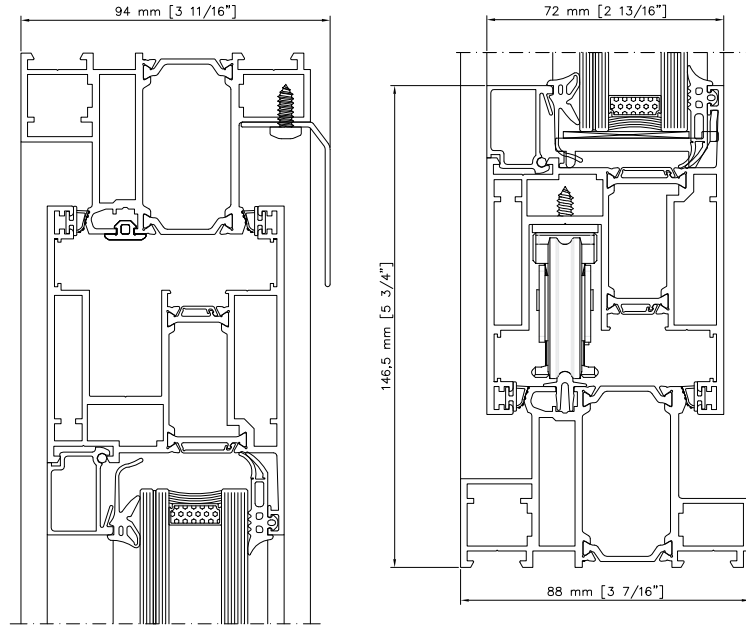
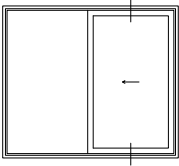


NOISE PERFORMANCE
43 DB

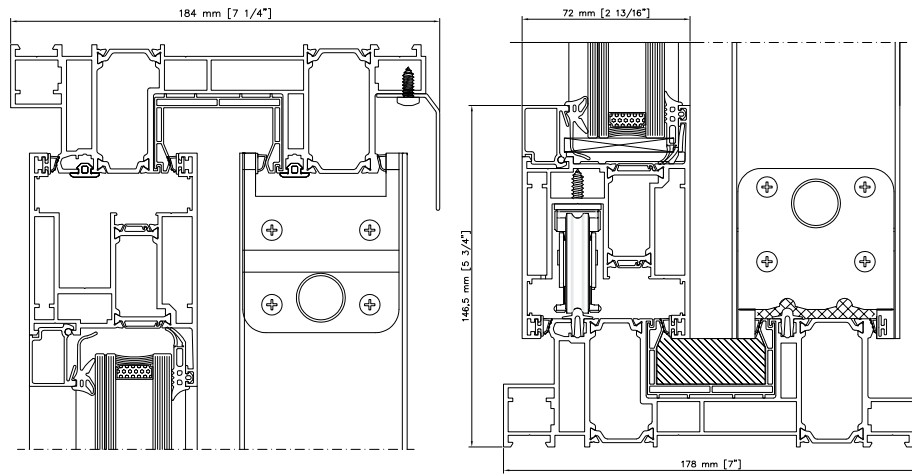
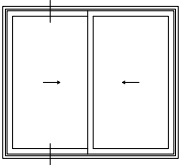


THERMAL TRANSMITTANCE
Double Glazing: U=0.425 [BTU/HR FT² °F]
Triple Glazing: U=0.331 [BTU/HR FT² °F]

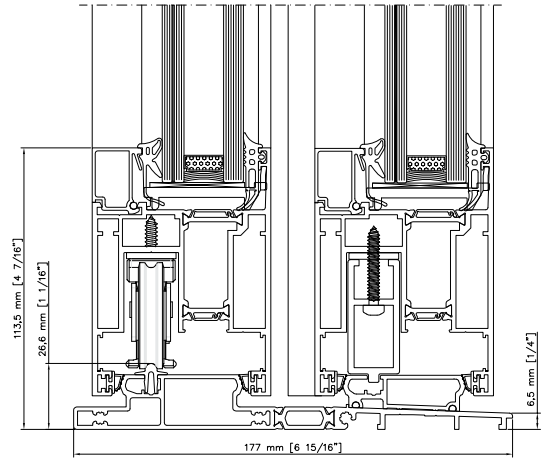
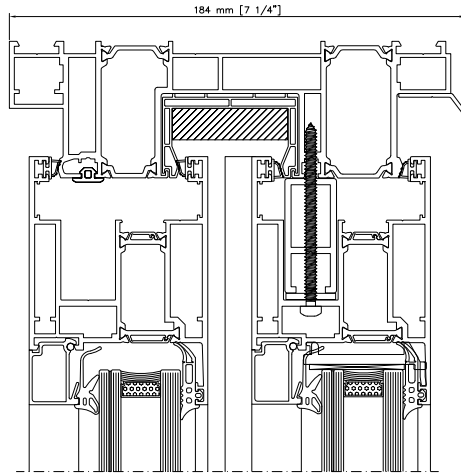
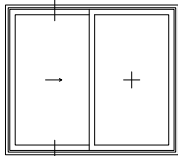
**1 RAIL
VERTICAL
SECTION**



**2 RAILS
VERTICAL
SECTION**



**2 RAILS
LOWERED
THRESHOLD
VERTICAL SECTION**



**2 RAILS
HORIZONTAL SECTION**

